

IRIDIUM EDGE®

IRIDIUM CONNECTED TELEMATICS SOLUTION



Learn more



SATELLITE
NETWORK



WATERPROOF
CASE



RS232
INDUSTRIAL
STANDARD

HARDWARE-READY DEVICE

for Simple, Low Risk Integration

SATELLITE ADD-ON

for Truly Global Coverage

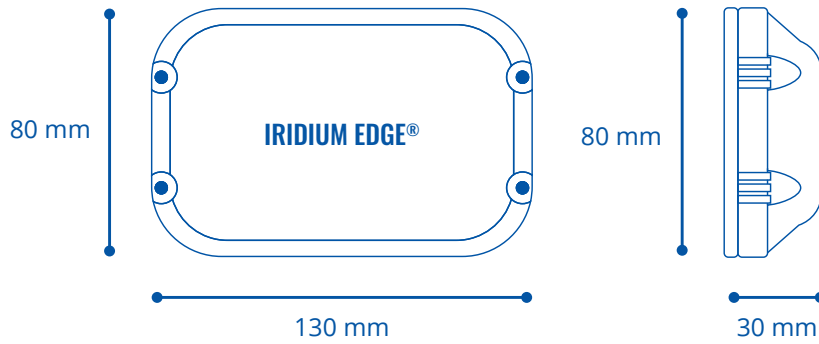
CERTIFIED

in Key Geographic Markets

180° LINE OF SIGHT

for Compromised, Partially
Blocked Locations

The Iridium Connected® Telematics Solution includes a Teltonika Telematics GNSS tracking system and an Iridium Edge® satellite modem. Whereas Teltonika trackers provide cellular connectivity (2G, 3G and 4G currently), Iridium Edge® works when no other network is available. The combined solution features of these devices create an outstanding connectivity solution for vehicles and teams operating remotely, improving safety and fleet efficiency. It is particularly useful for various applications, such as remote mining and construction, international logistics, wildlife tours and remote team management.



Network

Frequency	1616-1626.5 MHz
Message Size	One FMC125 and FMX640/641 message size forwarded to iridium EDGE is only 14 bytes
SBD Transceiver	Iridium 9602N
Antenna	Integrated Iridium® Certified Antenna

Environmental

Operating Temperature Range:	Operating/Storage Temperature Range: -40C to 85
Vibration	SAE J1455, Section 4.10

Mechanical

Dimensions (LxWxH)	130 x 80 x 30mm
Weight	320g
Ingress Protection	IP67
Connector	M12-8 pin male, terminated on 20cm Pigtail Cable
Installation Options	Pole, Screw, Tape

Power

Power Supply	(9-32V), SAE J1455 Load Dump Protected
Maximum Power	1.6W (Peak for Short Transmit Burst)
Low Power Modes	<200uA
Reverse Polarity Protection	

Interfaces

RS232 AT Command Interface	
On / Off Control Lines	