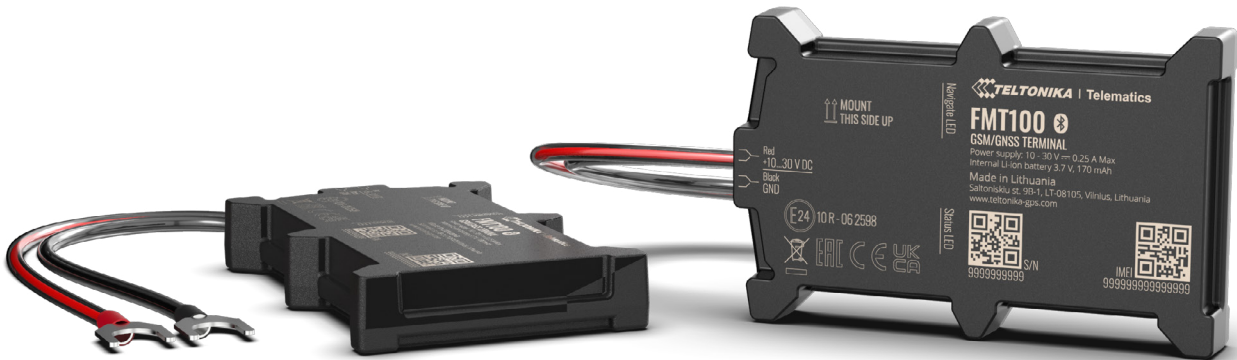




FMT100

2G vehicle battery-mounted tracker



CRASH DETECTION

Crash detection functionality working according accelerometer data

CLAMP CONNECTORS

Allows installing tracker in a few minutes

COMPACT AND ROBUST CASING

IP65-rated casing is designed to withstand poor weather conditions

EXTERNAL ACCESSORIES SUPPORT

Bluetooth® LE-based wireless connection of external devices



Light vehicles



Taxi



Insurance Telematics (UBI)



Courier delivery services

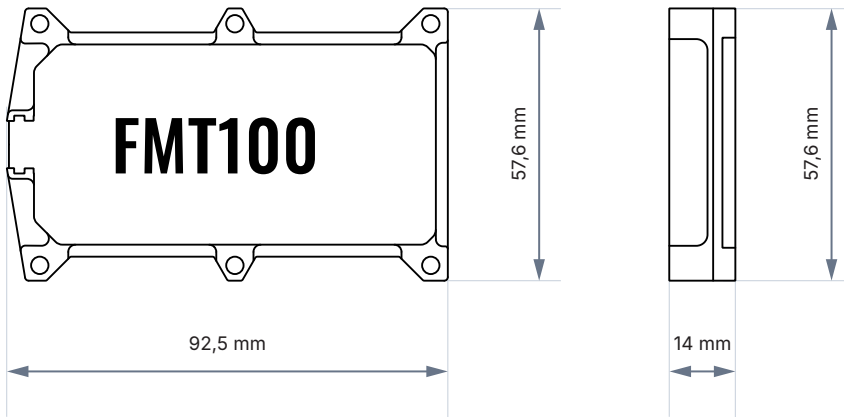


Rental and leasing

Teltonika FTM100 tracker is a water-resistant device with BLUETOOTH® connectivity.

An extremely fast and easy installation allows connecting device in a few minutes! No specific knowledge or engineers are required for installation.

This vehicle GPS tracker has an IP65 rating and a slim design which is essential for under-bonnet installation. Thanks to that, FMT100 tracker perfectly suits for light vehicle tracking in applications like courier delivery service, car rental & leasing, insurance telematics and many other industries, where simple integration is a must. It is a perfect solution for real time monitoring, especially for beginners and those, who are looking for new opportunities to expand their businesses. FMT100 device has a built-in accelerometer, which provides accurate crash trace data. This tracker also supports various BLUETOOTH® Low Energy sensors, beacons, firmware and configuration update via BLUETOOTH®. All of that increase the number of possible use scenarios in any market. It is quick to install, easy to use and ready to start tracking in minutes!



Module

Name	Teltonika TM2500
Technology	GSM/GPRS/GNSS/BLUETOOTH® LE

GNSS

GNSS	GPS, GLONASS, GALILEO, BEIDOU, SBAS, QZSS, DGPS, AGPS
Receiver	33 channel
Tracking sensitivity	-165 dBm
Position accuracy	< 2.5 CEP
Velocity accuracy	< 0.1m/s (within +/- 15% error)
Hot start	< 1 s
Warm start	< 25 s
Cold start	< 35 s

Cellular

Technology	GSM
2G bands	Quad-band 850/900/1800/1900 MHz
Data transfer	GPRS Multi-Slot Class 12 (up to 240 kbps), GPRS Mobile Station Class B
Data support	SMS (TEXT, PDU), Network protocols (TCP, UDP, TLS, MQTT)

Power

Input voltage range	10 - 30 V DC with overvoltage protection
Back-up battery	170 mAh Li-Ion battery 3.7 V (0.63 Wh)

BLUETOOTH® technology

Specification	4.0 + LE
Supported peripherals	Temperature and Humidity sensor, Headset, OBDII dongle, Inateck Barcode Scanner, Universal Bluetooth® LE sensors support

Physical specification

Dimensions	92.5 × 57.6 × 14 mm (L x W x H)
Weight	63 g

Interface

GNSS antenna	Internal High Gain
Cellular antenna	Internal GSM High Gain
USB	2.0 Micro-USB
LED indication	2 status LED lights
SIM	Micro-SIM
Memory	128MB internal flash memory

Operating environment

Operating temperature (without battery)	-40 °C to +85 °C
Storage temperature (without battery)	-40 °C to +85 °C
Operating humidity	5% to 95% non-condensing
Ingress Protection Rating	IP65
Battery charge temperature	-0 °C to +45 °C
Battery discharge temperature	-20 °C to +60 °C
Battery storage temperature	-20 °C to +45 °C for 1 month -20 °C to +35 °C for 6 months

Features

Sensors	Accelerometer
Scenarios	Green Driving, Over Speeding detection, Jamming detection, GNSS Fuel Counter, Excessive Idling detection, Unplug detection, Towing detection, Crash detection, Auto Geofence, Manual Geofence, Trip
Sleep modes	GPS Sleep, Online Deep Sleep, Deep Sleep, Ultra Deep Sleep
Configuration and firmware update	FOTA Web, FOTA, Teltonika Configurator (USB, Bluetooth® wireless technology)
SMS	Configuration, Events, Debug
GPRS commands	Configuration, Debug
Time Synchronization	GPS, NITZ, NTP
Fuel monitoring	OBDII dongle
Ignition detection	Accelerometer, External Power Voltage, Engine RPM (OBDII dongle)

Certification & Approvals

Regulatory	CE / RED, UKCA, E-Mark, EAC, RoHS, REACH, IP Rating, Declaration of IMEI assignment, SIRIM QAS, ICASA certificate
------------	-------------------------------------------------------------------------------------------------------------------