



FTC961

4G LTE Cat 1 GPS tracker with enhanced GNSS accuracy and IP69K resistance



HIGHER GNSS ACCURACY

More precise GNSS with up to 40 visible satellites, enabling higher tracking quality

IP69K WATERPROOF CASING

The ultimate protection against dust, high pressure water, and steam

OPTIMIZED SLEEP MODES

Enhance device autonomy and minimise vehicle battery drainage

HIGH VOLTAGE SUPPORT

Extended integration versatility for seamless use in EVs



Agriculture



Construction machines



Track and trace applications



Micro mobility



Courier delivery services



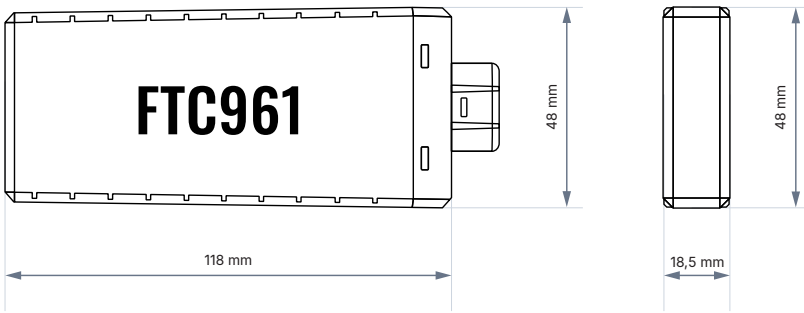
Light vehicles

The Fleet Telematics (FT) platform includes both new firmware development standards and a new hardware, providing enhanced tracking accuracy with high GNSS precision, taking the tracking experience to the next level with up to 40 visible satellites, enabling considerably higher tracking quality for location-based services.

The 320mAh battery and optimised sleep modes allow the device to operate on its own for an extended period of time and significantly reduce vehicle battery drainage, while high power supply making FTC961 a perfect solution for monitoring and tracking various types of vehicles, including e-motorcycles, e-mopeds, e-rickshaws, and other electric vehicles.

FTC961 belongs to the BASIC products family, keeps its compatibility, reliability and endurance. All the interfaces it has are more than enough for basic tracking. Digital Input can be used for ignition, door or alarm button status monitoring, while vehicle remote immobilizing may be achieved by using the Digital Output of the device. At the same time, Analog Input extends device usage scenarios with temperature, humidity, liquid level monitoring and many more.

In addition, IP69K casing ensures ultimate protection against dust, high pressure water, and steam, which brings unquestionable value to numerous market segments and societies, countries' budgets and the global economy overall. It can be perfectly adapted to any fleet and any transportation and any location from now!



Product

Model name	FTC961-QJAB0
GNSS	
GNSS	GPS, GLONASS, GALILEO, BEIDOU
Receive type	135 tracking/acquisition channels
Tracking sensitivity	-165 dBm
Position accuracy	< 1.8 m CEP
Velocity accuracy	< 0.1 m/s (within +/- 15% error)

Cellular

2G bands	GSM: B2/B3/B5/B8
4G bands	LTE FDD (CAT 1): B1/B3/B5/B7/B8/B20/B28
Data transfer	LTE FDD (CAT 1): Max. 10 Mbps (DL) / Max. 5 Mbps (UL) GSM (GPRS): Max. 85.6 Kbps (DL) / Max. 85.6 Kbps (UL)
Transmit power	Class 5 for GSM850/900: 30±5dBm Class 3 for GSM1800/1900: 29±5dBm Class 3 for LTE-FDD: 26±5dBm
Data support	SMS (TEXT, PDU), Network protocols (TCP)

Data Codec

Codec support	Codec 8 Extended
Power	
Input voltage range	10 - 90 V
Back-up battery	320 mAh Li-Ion battery 3.7V (1.18 Wh)
Internal fuse	3 A
Power consumption	TBA

Physical specification

Dimensions	118×48×18.5 mm (L x W x H)
Weight	118 g

Operating environment

Operating temperature (without battery)	-40 °C to +85 °C
Storage temperature (without battery)	-40 °C to +85 °C
Operating temperature (with battery)	0 °C to +40 °C
Storage temperature (with battery)	-20 °C to +60 °C
Operating humidity	5% to 95% non-condensing
Ingress Protection Rating	IP69K*
Battery charge temperature	0 °C to +45 °C
Battery discharge temperature	-20 °C to +60 °C
Battery storage temperature	-10 °C to +50 °C for 1 month -10 °C to +35 °C for 3 months 0 °C to +30 °C for 1 year

Interface

Digital Inputs	1
Digital Outputs	1
Analog Inputs	1
GNSS antenna	Internal High Gain
Cellular antenna	Internal High Gain
USB	2.0 USB Type-C
LED indication	2 status LED lights
SIM	Nano-SIM
Memory	128 MB internal flash memory

Features

Sensors	Accelerometer
Scenarios	Green Driving, Over Speeding detection, Jamming detection, Excessive idling detection, Unplug detection, Crash Detection, Trip
Sleep modes	Deep Sleep
Configuration and firmware update	FOTA WEB, Teltonika Configuration Tool (TCT)
SMS	Configuration, DOUT control, Debug
GPRS commands	Configuration, DOUT control, Debug
Time Synchronization	GNSS, NITZ, NTP
Ignition detection	Digital Input 1, Accelerometer, External Power Voltage