

# TAT100

ASSET TRACKER WITH IP68 CASING AND EXTENDED BATTERY LIFE

Product page



IP68



## ROBUST

Robust, small and easy to install

## INGRESS PROTECTION

Water and dust resistant for outdoor integrations (IP68)

## PERIODIC REPORTS AND WEEKLY SCHEDULER

Track on stop & in motion

## OTA UPDATES

Convenient OTA (over-the-air) updating through user-friendly applications



VALUABLE ASSETS



TRAILER TRACKING



CONSTRUCTION EQUIPMENT

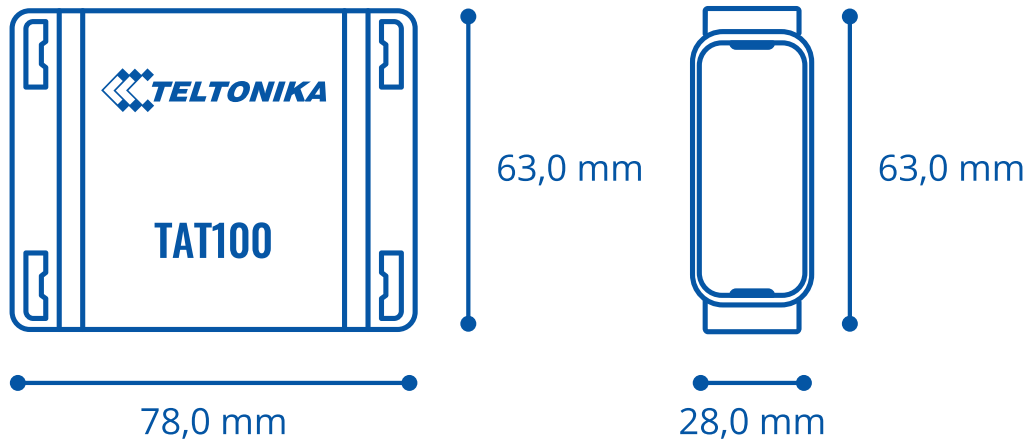


VEHICLE DOUBLE SECURITY



TOOL TRACKING

TAT100 is an advanced tracking solution with a 2G (GSM) compatibility. Equipped with a robust, practical and water-resistant (IP68) enclosure and different mounting accessories, the tracker is extremely easy to install and use. As it is developed on a low power Bluetooth® chipset, long battery life provides endless possibilities in various use cases. With the features in hand, one can monitor non-powered assets, such as: construction equipment, tools, wire reels, elevators, and many more. On top of that, TAT100 serves as a backup vehicle tracker, or even as a stand-alone wireless tracker.



## Product

Model name	TAT100-TAIB0	TAT100-TAIBA
------------	--------------	--------------

## Module

Name	Teltonika TM2500	Teltonika TM2500
Technology	2G(GSM/GPRS)/GNSS/BLUETOOTH® LE	2G(GSM/GPRS)/GNSS/BLUETOOTH® LE

## GNSS\*

GNSS	L1: GPS, GLONASS, GALILEO, BEIDOU, SBAS*, QZSS*, DGPS* AGPS*	L1: GPS, GLONASS, GALILEO, BEIDOU, SBAS*, QZSS*, DGPS*, AGPS*
Receive type	33 tracking channel 99 acquisition channel	33 tracking channel 99 acquisition channel
Tracking sensitivity	-165 dBm	-165 dBm
Position Accuracy	< 2.5 CEP	< 2.5 CEP

\*Optional modes available with custom firmware applications, for more information contact your sales manager.

## Cellular

2G bands	GSM: B2/B3/B5/B8	GSM: B2/B3/B5/B8
Data transfer	GSM (GPRS): Max. 85.6 Kbps (DL) / Max. 85.6 Kbps (UL)	GSM (GPRS): Max. 85.6 Kbps (DL) / Max. 85.6 Kbps (UL)
Data transfer	SMS (TEXT), Network protocols (TCP,UDP,TLS,DTLS)	SMS (TEXT), Network protocols (TCP,UDP,TLS,DTLS)

## Power

Battery	2200mAh, 2S, extremely low self-discharge Li-SOCI2 batteries 7.2V, Non-rechargeable	2200mAh, 3S, extremely low self-discharge Li-SOCI2 batteries 10.8V, Non-rechargeable
---------	-------------------------------------------------------------------------------------	--------------------------------------------------------------------------------------

## BLUETOOTH® technology

Specification	4.0 + LE	4.0 + LE
Supported peripherals	EYE Sensors, EYE Beacons (recovery mode only), Universal Bluetooth® LE sensors support	EYE Sensors, EYE Beacons (recovery mode only), Universal Bluetooth® LE sensors support

## Physical specification

Dimensions	78 x 63 x 28 mm (L x W x H)	78 x 63 x 28 mm (L x W x H)
Weight	119g (with 2 cells battery)	138g (with 3 cells battery)

## Operating environment

Operating temperature (with battery)	-35 °C to +75 °C	-35 °C to +75 °C
Storage temperature (with battery)	-40 °C to +85 °C (Recommended max. 30°C)	-40 °C to +85 °C (Recommended max. 30°C)
Operating humidity	5% to 95% non-condensing	5% to 95% non-condensing
Ingress Protection Rating	IP68	IP68
Battery discharge temperature	-60 °C to +85 °C	-60 °C to +85 °C
Battery storage temperature	Recommended max. 30°C	Recommended max. 30°C

## Interface

GNSS antenna	Internal High Gain	Internal High Gain
Cellular antenna	Internal GSM High Gain	Internal GSM High Gain
USB	2.0 Micro-USB	2.0 Micro-USB
LED indication	2 LEDs	2 LEDs
SIM	Micro-SIM	Micro-SIM
Memory	128MB internal flash memory	128MB internal flash memory

## Features

Sensors	Accelerometer	Accelerometer
Scenarios	Accelerometer wake up, GNSS and LBS, Bluetooth® LE sensors support, Recovery mode, Periodic tracking on stop / on move, Scheduler with time zones, Backup tracking, Static navigation, Lost Bluetooth® LE sensors	Accelerometer wake up, GNSS, Bluetooth® LE sensors support, Recovery mode, Periodic tracking on stop / on move, Scheduler with time zones, Backup tracking, Static navigation, Lost Bluetooth® LE sensors
Sleep Modes	Single custom sleep mode	Single custom sleep mode
Configuration and firmware update	FOTA Web, Teltonika Configurator (USB)	FOTA Web, Teltonika Configurator (USB)
SMS	Configuration, Events, Debug	Configuration, Events, Debug
GPRS commands	Configuration, Debug	Configuration, Debug
Time Synchronization	GNSS, NITZ, NTP	GNSS, NITZ, NTP

## Certification & Approvals

Regulatory	CE/RED, E-Mark, EAC, UKCA, UA.TR, REACH	CE/RED, E-Mark, EAC, UKCA, UA.TR, REACH
------------	-----------------------------------------	-----------------------------------------