

# FMB209 General description

[FMB209 Manual](#) > **FMB209 General description**

FMB209 is a tracking terminal with GNSS and GSM connectivity, which is able to collect device coordinates and transfer them via GSM network to a server. This device is perfectly suitable for applications, which require the location acquirement of remote objects.

□

## Contents

- [1 Package contents](#)
- [2 Basic characteristics](#)
- [3 Technical features](#)
- [4 Technical information about internal battery](#)
- [5 Electrical characteristics](#)

## Package contents

The FMB209 device is supplied to the customer in a cardboard box containing all the equipment that is necessary for operation. The package contains:

- FMB209 device with case and wires;
- USB cable (optional);
- Integrated Li-ion battery 3.75V, 800mAh for FMB209 device;

## Basic characteristics

GSM / GPRS / GNSS features:

- Teltonika [TM2500](#) quad band module (GSM 850 / 900 / 1800 / 1900 MHz);
- GPRS Multi-Slot class 12 (Up to 85,6 kbps);
- SMS (text, data);
- Integrated GNSS receiver;
- Up to -162 dBm GNSS receiver sensitivity.
- GNSS Module - AG3335MN;

Hardware features:

- 128 MB internal Flash memory (422 400 Records);
- Built-in movement sensor;
- Integrated Li-ion battery 3.75V, 800mAh for FMB209 device;
- Internal High Gain GSM antenna;
- Internal High Gain GNSS antenna;

The Interface features:

- Power supply: 10 ... 30V;
- USB port;
- 2 digital inputs;
- 2 Analog/Digital inputs;
- 2 open collector digital outputs (connecting external relays, LED's, buzzers, Panic buttons, etc.);
- RS232 connection
- 2 LED's indicating device status.

#### Special features:

- High Quality track even in high density urban canyon;
- Ready for harsh environment;
- Any element event triggers (external sensor, input, speed, temperature, etc.);
- Highly configurable data acquisition and sending;
- Multiple Geo-fence areas;
- Sleep mode;
- Deep sleep mode;
- Configurable scenarios available;
- Real-time process monitoring;
- Authorized number list for remote access;
- Firmware update over GPRS or USB port;
- Configuration update over GPRS, SMS or USB port;
- TCP/IP or UDP/IP protocol support;
- >500000 record storing;
- Overvoltage protection.

<b>Description</b>	<b>Voltage</b>	<b>Duration</b>
Normal operation	+10 ... 30 V	Unlimited
Protection turns on, device turns off	34 V	Unlimited
Maximum voltage	< 70 V	Unlimited
Maximum voltage impulse	120 V	10 ms

## Technical features

<b>Part name</b>	<b>Physical specification</b>
Navigation indication	LED
Modem indication	LED
USB	Mini USB socket
GNSS	Internal GNSS antenna

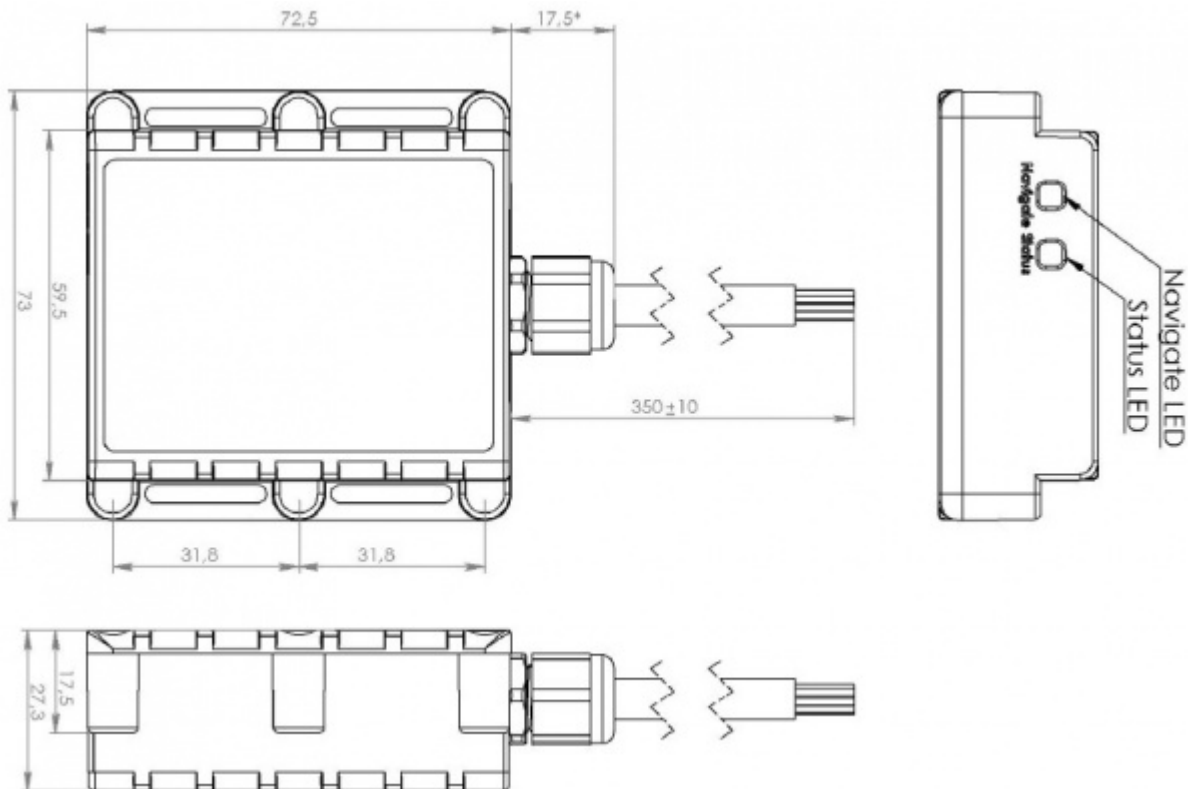
GSM

Internal GSM  
antenna

### Technical details

	GPRS: average 59.13 mA r.m.s; Nominal: average 26.21 mA; GPS Sleep: average 10.55 mA; Online Sleep: average error mA; Deep Sleep: average 7.02 mA; Ultra Sleep: average 4.55 mA
Power supply 10 ... 30V DC 1.5 W max. device consumption Energy consumption at 12 V:	
FMB20X Battery charge current	max. 207 mA
Operating temperature (without battery)	-40..+85 °C
Storage temperature (without battery)	-40..+85 °C
Storage relative humidity	5..95% (no condensation)
Device + case + battery weight	With 400 mAh bat. - 170 g With 1800 mAh bat. - 210 g

Dimension drawing:



### Technical information about internal battery

<b>Internal back-up battery</b>	<b>Battery voltage (V)</b>	<b>Nominal capacity (mAh)</b>	<b>Power (Wh)</b>	<b>Charging temperature (°C)</b>
Li-ion rechargeable battery	3.75~3.90	800	2.96	0 - 50

Batteries are covered by 6 month [warranty](#) support.

**⊗ CAUTION: RISK OF EXPLOSION IF BATTERY IS REPLACED BY AN INCORRECT TYPE. DISPOSE OF USED BATTERIES ACCORDING TO THE INSTRUCTIONS.**

Battery should not be disposed of into general household waste.

**⊗ Bring damaged or worn-out batteries to your local recycling center or dispose them into a battery recycle bin commonly found in supermarkets.**

## Electrical characteristics

<b>Characteristic description</b>	<b>Value</b>			
	<b>Min.</b>	<b>Typ.</b>	<b>Max.</b>	<b>Unit</b>
<b>Supply Voltage:</b>				
Supply Voltage (Recommended Operating Conditions)	10		30	V
<b>Digital Output (Open Drain grade):</b>				
Drain current (Digital Output OFF)			120	μA
Drain current (Digital Output ON, Recommended Operating Conditions)	0.1		0.5	A
Static Drain-Source resistance (Digital Output ON)			120	mΩ
<b>Digital Input:</b>				
Input resistance (DIN1)		59.9		kΩ
Input resistance (DIN2, DIN3)		67.5		kΩ
Input voltage (Recommended Operating Conditions)	0		60	V
Input Voltage threshold (DIN1)	7.5	7.7	8	V
Input Voltage threshold (DIN2, DIN3)	2.5	2.7	3	V
<b>Analog Input:</b>				
Input voltage (Recommended Operating Conditions), Range 1	0		10	V
Input resistance, Range 1		120		kΩ
Input voltage (Recommended Operating Conditions), Range 2	0		30	V
Input resistance, Range 2		146.7		kΩ
Output inner resistance	450		600	mΩ
Output current ( $U_{out} > 3.0$ V)			75	mA
Short circuit current ( $U_{out} = 0$ )			75	mA

**Analog Input error margin can increase if temperature varies.**