

TAT240 General description

[Main Page](#) > [Autonomous Trackers](#) > [TAT240](#) > [TAT240 Manual](#) > **TAT240 General description**

TAT240 is a tamper-proof, 4G LTE (CAT1), 3G/2G fallback, GNSS, Bluetooth® device for asset tracking and maximum protection against thefts of containers, and trailers, as well as it could be used in a wide range of applications from valuable goods to tools tracking. The tamper detection feature of TAT240 ensures significantly improved protection of the assets.

□

Contents

- [1 Package Contents](#)
- [2 Basic characteristics](#)
- [3 Technical features](#)
- [4 Technical information about internal battery](#)

Package Contents

TAT240 device is supplied to the customer in a cardboard box.

Basic characteristics

GSM / GPRS / GNSS features:

- Teltonika [TM2500](#) with Quectel EG915U-EU or Quectel EG915U-LA
- LTE Cat 1/GSM/GPRS/GNSS/BLUETOOTH® wireless technology
- GPRS Multi-Slot Class 12 (up to 85.6 kbps);
- Up to -165 dBm GNSS receiver sensitivity;
- SMS (text, data).

2G bands:

- TAT240-QJIBC: EG915U-EU GSM: B2/B3/B5/B8

4G LTE Cat 1 bands:

- TAT240-QJIBC: EG915U-EU LTE-FDD: B1/B3/B5/B7/B8/B20/B28

Data transfer:

- LTE: LTE FDD : Max 10Mbps (DL)/Max 5Mbps (UL)
- GSM: GPRS: Max 85.6Kbps (DL)/Max 85.6Kbps (UL)

Hardware features:

- Built-in movement sensor;
- Built-in Ultra-low-power Bluetooth® BlueNRG-232;
- Internal High Gain GNSS antenna;
- Internal High Gain GSM antenna;
- 128 MB Flash (220'000 records);
- 2200 mAh extremely low self-discharge Li-SOCl2 batteries 7.2V.

Special features:

- Tamper detection;
- Water and dust resistant for outdoor integrations;
- Magnetic mount;
- Convenient OTA (over-the-air) updating through user-friendly applications;
- I/O event;
- Sending acquired data via GPRS;
- GPRS and SMS I/O events;
- Configurable using Secured SMS Commands;
- Accelerometer wake up;
- Bluetooth® sensor support; *

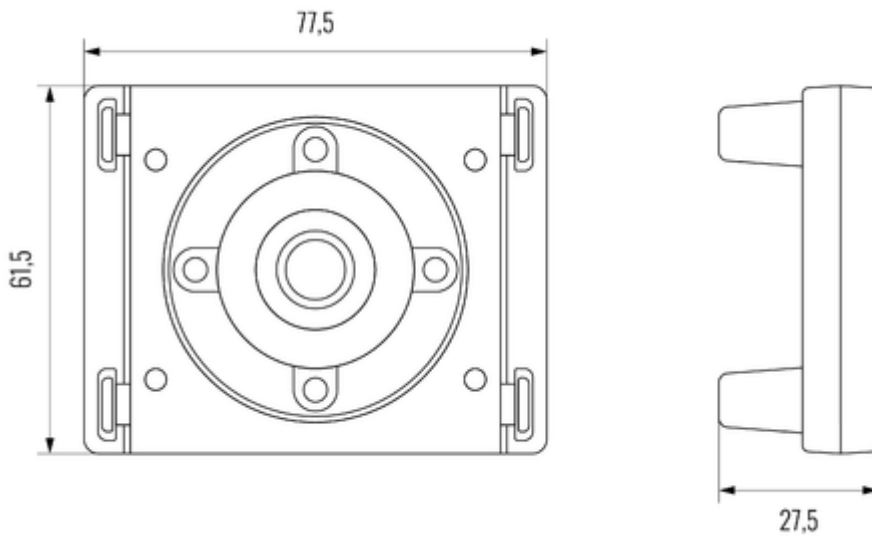
Recovery mode; Periodic tracking on stop / on move;

- Scheduler with time zones;
- Backup tracking;
- Static navigation;
- Lost BLE sensor

Technical features

Part name	Physical specification
Status indication	1 LED
USB	USB socket
Measurements (fully assembled)	77.5 x 61.5 x 27.5 mm (L x W x H)
LED State	Status
LED turned ON	Modem frozen or crashed unexpectedly
LED turned OFF	Device is in sleep mode or turned off
LED blinking every 5 seconds	Device is working, modem turned on
Technical details	
Operating temperature (without battery)	-20 °C to +60 °C
Ingress Protection Rating	IP68

Dimension drawing:



Technical information about internal battery

Internal back-up battery	Battery voltage (V)	Nominal capacity (mAh)	Power (Wh)	Operating temperature range (°C)
Extremely low self-discharge Li-SOCl ₂ swappable, non-rechargeable battery, 7,2V 2200mAh	7.2	2200	15.84	-

- ✘ CAUTION: RISK OF EXPLOSION IF BATTERY IS REPLACED BY AN INCORRECT TYPE. DISPOSE OF USED BATTERIES ACCORDING TO THE INSTRUCTIONS.

Battery should not be disposed of into general household waste.

- ✘ Bring damaged or worn-out batteries to your local recycling center or dispose them into a battery recycle bin commonly found in supermarkets.