

Template:FMB965 First start card



Small and smart tracker with Bluetooth



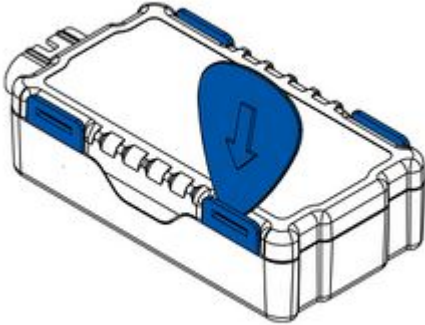
Contents

- [1 How to insert Nano-SIM card](#)

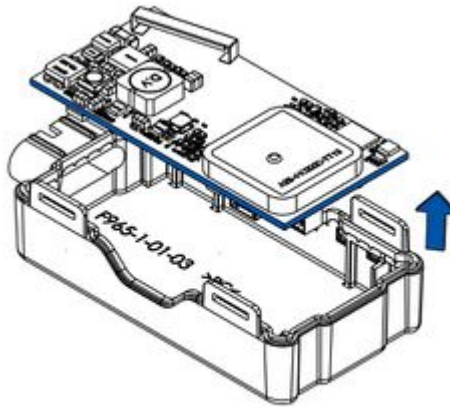
How to insert Nano-SIM card

1. Gently remove {{{model}}} **cover** using **plastic pry tool** from both sides.
2. gently lift the PCB out of the cover
3. Insert **Nano-SIM** card as shown with **PIN request disabled** or read [Security info](#) how to enter it later in Configurator. Make sure that Nano-SIM card **cut-off corner** is pointing outwards to slot.

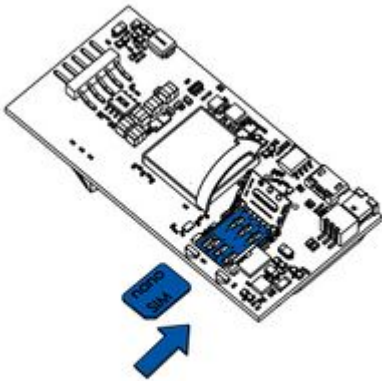
4. Connect the battery as shown on device.
5. Place PCB back into the place as shown in the picture, first the end that is marked as **1** needs to be inserted, then the end that is marked as **2**
6. Attach device **cover** back. Device is ready to be connected.



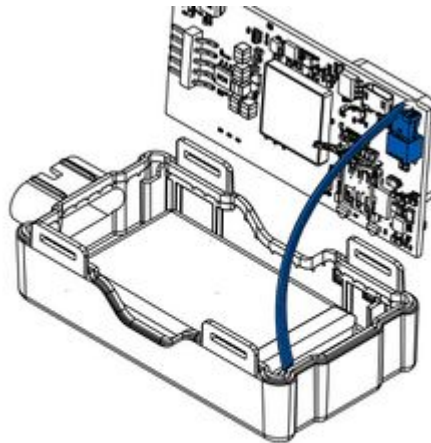
1



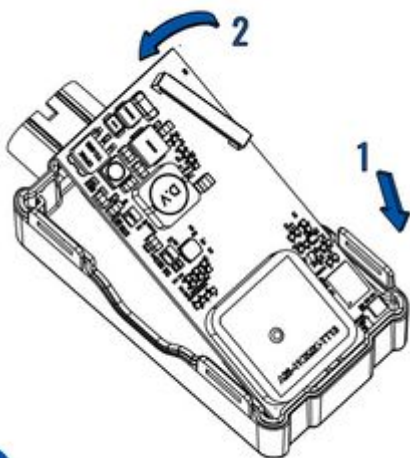
2



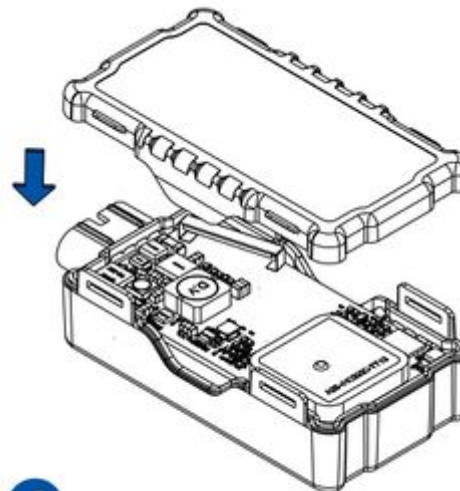
3



4



5



6

Nano-SIM card insertion/removal must be performed when device is powered off - external voltage and internal battery disconnected. Otherwise Nano-SIM card might be damaged or device will not detect it.