

DashCam First Start

[Teltonika DashCam](#) > DashCam First Start



Contents

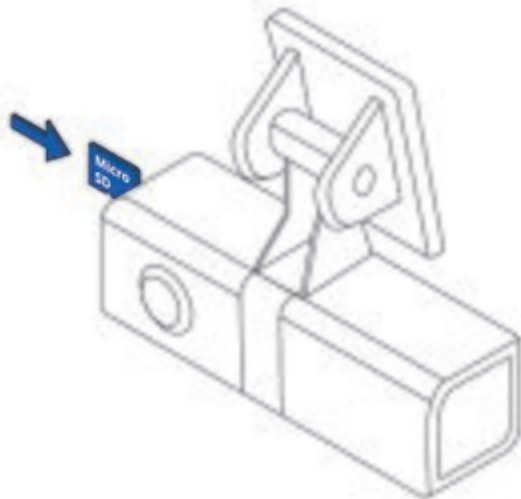
- [1 How to insert SD card](#)
- [2 Mounting recommendation](#)
- [3 Installation](#)

How to insert SD card

Teltonika DashCam can hold 1 x microSD card, which are inserted on both sides of the camera (front).

When the card is inserted correctly, it locks in with a "click". How the cards are inserted is depicted in the photos.

NOTE: If you do not insert microSD card, you will be only available to receive images, but you do not receive video if the trigger will happen or you will send SMS/GPRS command.



Mounting recommendation

Camera location:

- Camera must be mounted on the windshield of the, you can stick it to window using 3M duct tape, or you can use screws fit to other surfaces.
- To maximize the field of view, the camera should be mounted in the middle of the front windshield so that an even field of view for the sides of the vehicle is recorded. We recommend you mount the DashCam near the rearview mirror area.
- We always recommend angling the lens slightly upwards so that video footage displays about 60% road and 40% sky. This angle offers a good balance of exposure and details.
- View footage from SD card while mounting the DashCam so you can select what position and angle you prefer the DashCam to be set at.

Connecting power source:

- Due to high camera power consumption we always recommend connecting the camera to the vehicle ignition. The camera start-up in 2-3 seconds when vehicle ignition goes ON.
- Camera ground (Black cable) must be connected to the same (common) Ground wire as FMx125 device.
- Ground wire is connected to the vehicle frame or metal parts that are fixed to the frame.

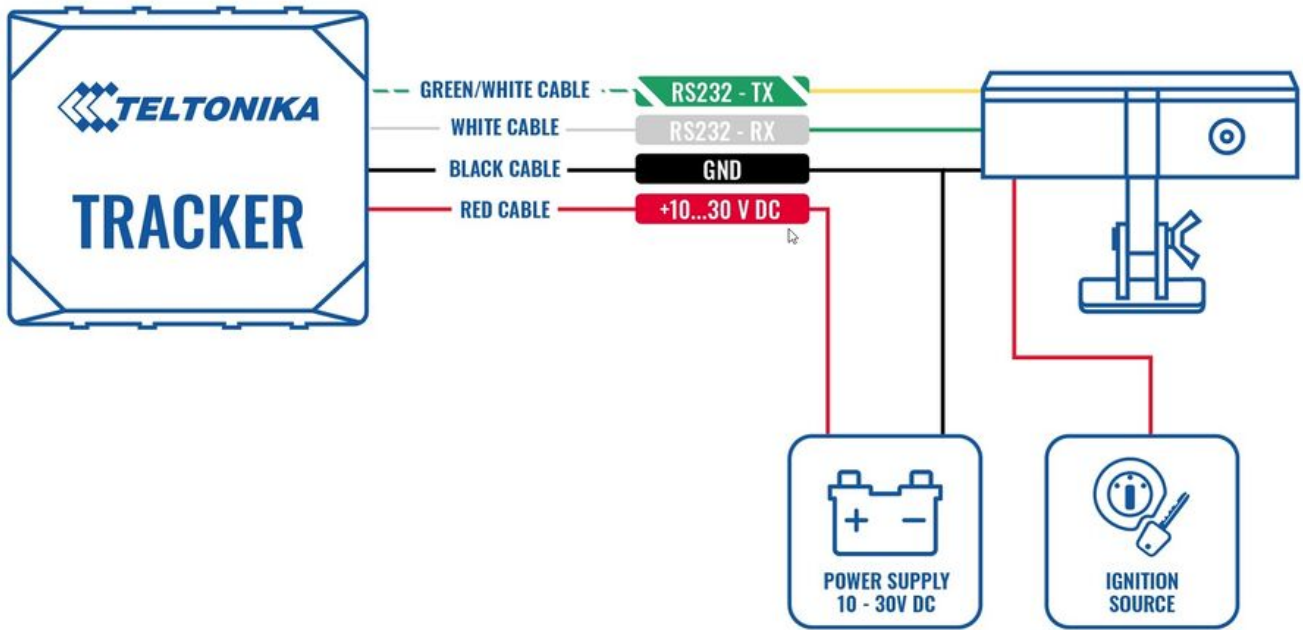
Please refer to FMx125 device mounting recommendation:

https://wiki.teltonika-gps.com/view/FMC125_First_Start#Mounting_recommendations

Installation

To connect the DashCam to a supported device, you have to make sure to connect 4 PINs of the camera to the PINs of your device correctly.

NOTE: DashCam must be connected to the ignition source or another source, where then you turn off ignition camera will turn off in another case camera will drain the battery if you connect directly.



If you need to receive additional data from the DashCam when the ignition is off, you can do it by connecting the camera to a power source using the relay, to control the power supply by turning on/off the camera. To find information on how to configure DOUT, please visit [FMB DOUT](#).



DASHCAM FMC650 Installation with Ignition Source. To connect the DashCam to the FMC650 device, you have to make sure to connect 4 PIN's of the camera to the PIN's of your device correctly.

NOTE: DashCam must be connected to the ignition source or another source, where then you turn off ignition camera will turn off in another case camera will drain the battery if you connect directly.



DASHCAM FMC650 Installation with Relay. If you need to receive additional data from the DashCam when the ignition is off, you can also connect the camera to a power source using the relay, to control the power supply by turning on/off the camera. To find information on how to configure DOUT, please visit [FMB DOUT](#).



PIN NUMBER	PIN NAME	DESCRIPTION
1	RS232-Tx	Dashcam output for data transmission through RS232
2	RS232-Rx	DashCam input for data reception through RS232
3	VCC(9-36V) (+)	Power supply for the DashCam
4	GND (-)	Ground